

Installation Instructions

VALVE ONLY

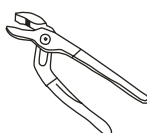
For 3/4" In-Line, Wall Mounted
Volume Control
No Finish



Tools You Will Need



Adjustable Wrench



Groove Joint Pliers

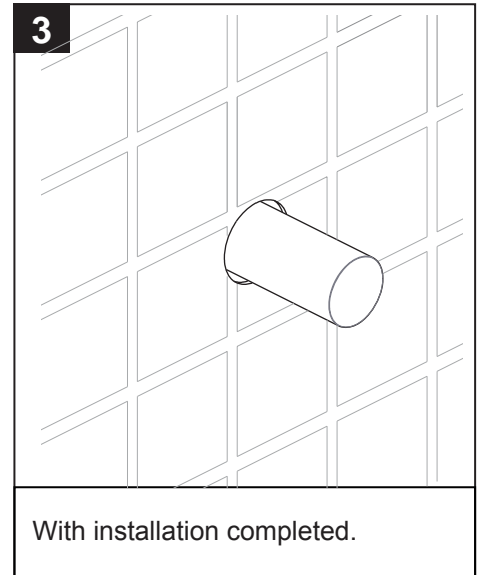
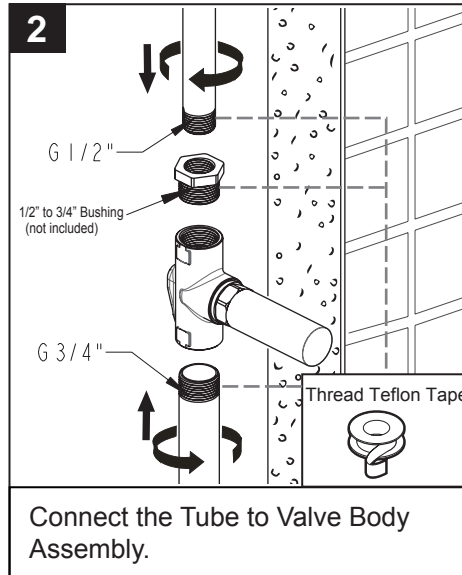
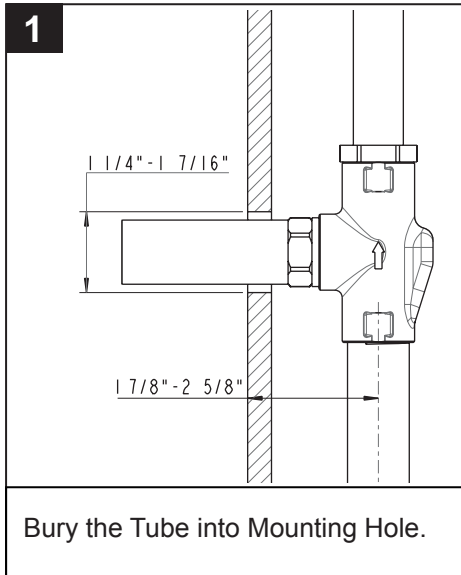


Teflon Tape

For easy installation of your faucet you will need:

- To READ ALL the installation completely before beginning.
- To READ ALL warnings, care, and maintenance information.

Installation Instructions



Cleaning Instructions

- Only use a soft, dampened sponge or cloth to clean and polish the fixture.
- Wipe fixtures and the immediate areas clean and rinse completely with water immediately after installation and after applying any cleaner.
- If you are using a cleaning compound on or close to the product, please test the compound on a hidden area of the trim to ensure it will not damage the finish.
- Do not allow cleaners to soak anywhere on the product.

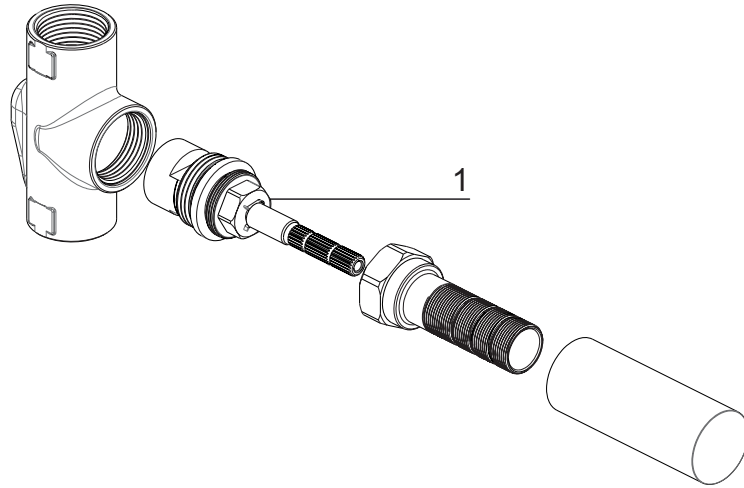
Trouble-Shooting

If you've followed the instructions carefully and your faucet still does not work properly, take these corrective steps.

Problem	Cause	Action
Leaks underneath connectors.	Retainer nut has come loose. Washer is dirty or damaged.	Tighten the retainer nut. Clean or replace Washer.

Replacement Parts

No.	Description	Part No.
1	Cartridge	5D0M0139NT



Applicable Standards/Codes

Specified model meets or exceeds the following:

- ANSI/ASME A112.18.1.



Installation Dimension

